

# Product data sheet

## Characteristics

# XY2CEDA296

Dual emergency stop rope pull switch,  
Telemecanique rope pull switches XY2C, e  
2x(1NC+1NO), Pg13.5, boot. pb, pilot light



Product availability: Non-Stock - Not normally stocked in distribution facility

Price\*: 458.00 USD



### Main

Range of product	Telemecanique Emergency stop rope pull switches XY2C
Product or component type	Dual emergency stop rope pull switch
Device short name	XY2CED

### Complementary

Number of cables	2
Bellow material	Nitril
Body material	Zamak
Cover material	Stainless steel
Reset	By booted push-button
Contacts type and composition	2 x (1 NC + 1 NO)
Contact operation	Slow-break
Trigger cable anchor point	RH and LH sides
Tightening torque	7.08...10.62 Lbf.In (0.8...1.2 N.m)
Marking	CE
Mechanical durability	60000 Cycles
Distance between cable supports	9.84...16.40 Ft (3...5 m)
[the] conventional enclosed thermal current	10 A
Terminals description ISO n°1	(21-22)NC (13-14)NO
Net weight	4.19 Lb(US) (1.9 kg)
Compatibility code	XY2CED

## Environment

Standards	CSA C22.2 No 14 Machinery directive 2006/42/EC EN/IEC 60204-1 EN/IEC 60947-5-5 UL 508 Work equipment directive 2009/104/EC EN/ISO 13850 EN/IEC 60947-5-1
Protective treatment	TC
Ambient air temperature for operation	-13...158 °F (-25...70 °C)
Ambient air temperature for storage	-40...158 °F (-40...70 °C)

## Ordering and shipping details

Category	22441 - LIMIT SWITCHES,CABLE PULL
Discount Schedule	T
GTIN	3606480880001
Nbr. of units in pkg.	1
Package weight(Lbs)	4.30 Lb(US) (1.949 kg)
Returnability	No
Country of origin	MA

## Packing Units

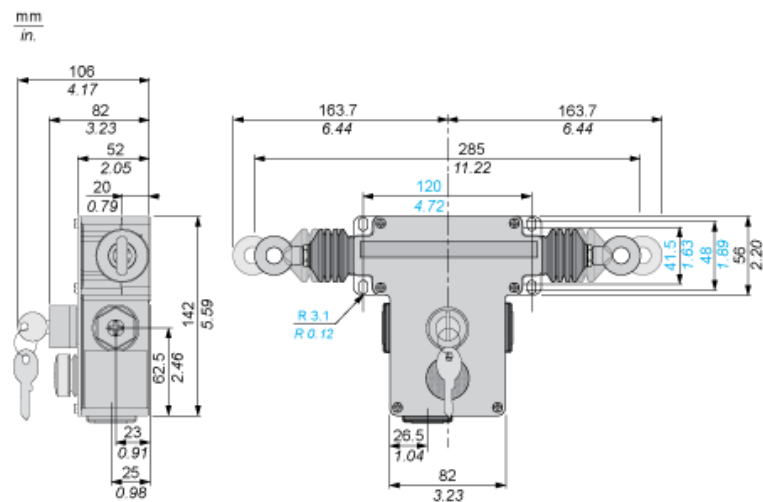
Unit Type of Package 1	PCE
Package 1 Height	4.17 In (10.6 cm)
Package 1 width	6.30 In (16 cm)
Package 1 Length	12.17 In (30.9 cm)
Unit Type of Package 2	S03
Number of Units in Package 2	4
Package 2 Weight	18.36 Lb(US) (8.326 kg)
Package 2 Height	11.81 In (30 cm)
Package 2 width	11.81 In (30 cm)
Package 2 Length	15.75 In (40 cm)

## Offer Sustainability

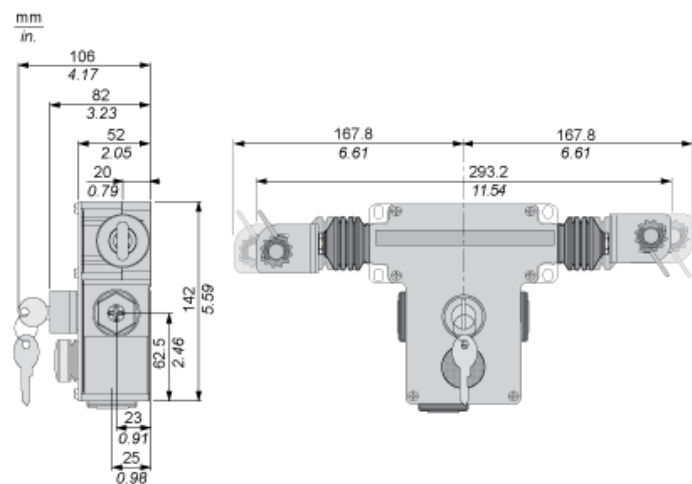
Sustainable offer status	Green Premium product
California proposition 65	WARNING: This product can expose you to chemicals including: Diisononyl phthalate (DINP), which is known to the State of California to cause cancer, and Diisodecyl phthalate (DIDP), which is known to the State of California to cause birth defects or other reproductive harm. For more information go to <a href="http://www.P65Warnings.ca.gov">www.P65Warnings.ca.gov</a>
REACH Regulation	<a href="#">REACH Declaration</a>
EU RoHS Directive	Pro-active compliance (Product out of EU RoHS legal scope) <a href="#">EU RoHS Declaration</a>
Mercury free	Yes
RoHS exemption information	<a href="#">Yes</a>
Environmental Disclosure	<a href="#">Product Environmental Profile</a>

Dimensions

Without Tensioner



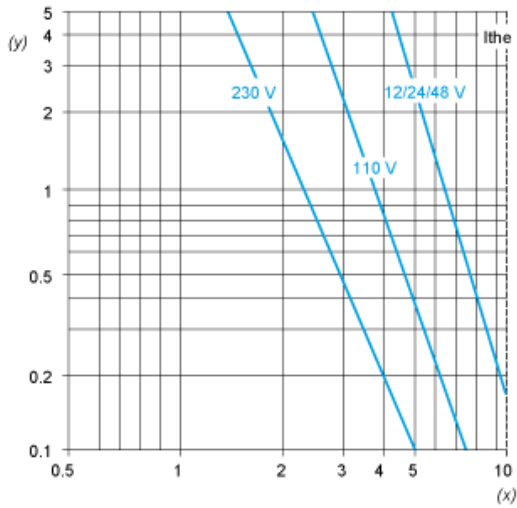
With Tensioners



Electrical Curves

AC Supply 50/60 Hz.  $\sim$  Inductive Circuit

2-pole Contact Block



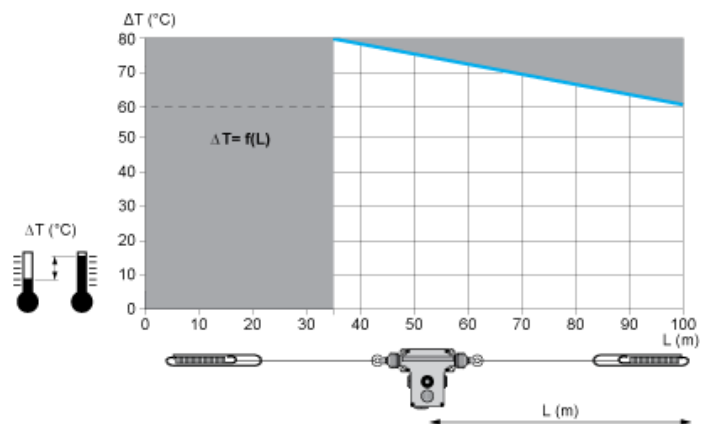
(y) Millions of operating cycles  
(x) Current in A

DC Supply. Power Broken in W for 1 Million Operating Cycles.  $\sim$  Inductive Circuit

Voltage	V	24	48	120
$\sim$	W	13	9	7

Mounting and Clearance

Adjustment Values (With End Spring)



In grey prohibited zone

Product Life Status : Commercialised